

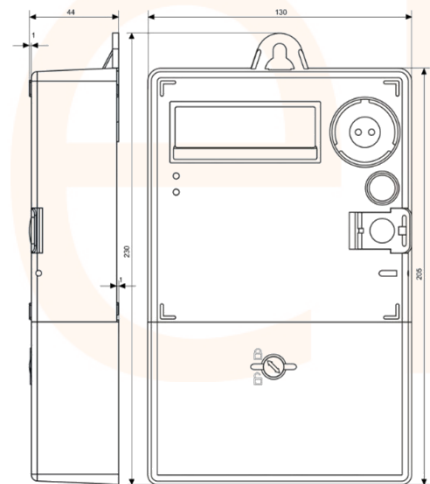


AC3961

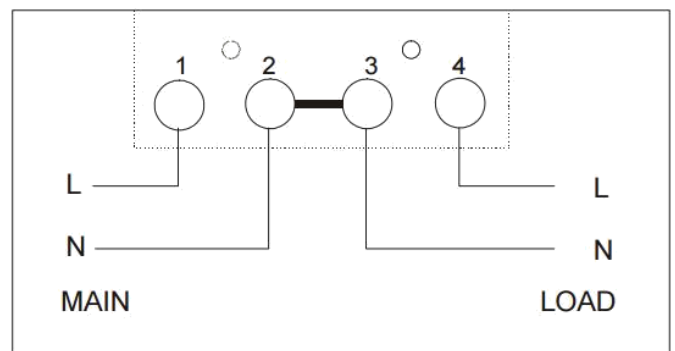
100A Single Phase Meter

- Suitable for single phase supplies up to 100A
- MID Approved (suitable for billing applications)
- Import & Export (bi-directional)
- Extended Terminal Cover
- Pulse Output
- Large, easy read backlit display

Dimensions



Wiring



3-AC3961-2024-v1

Technical Specification

Meter Type	Single Phase
Fitting Type	Wall Mounted
Max. Current (Amps)	100
Smart	No
Input Type	Direct Connection
Output Type	Pulse
Tariffs	Single
Import / Export	Import & Export