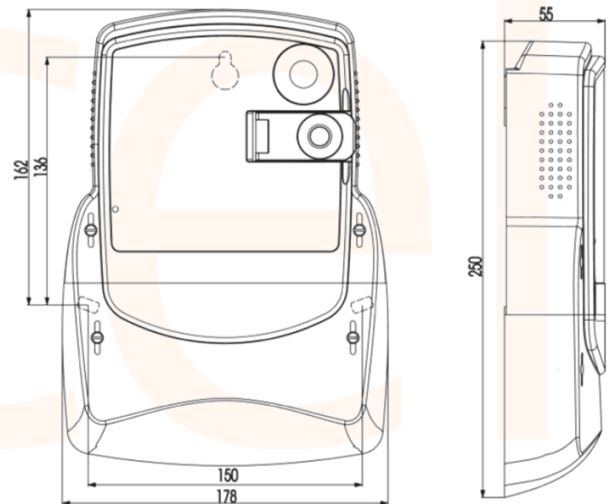


AC3967

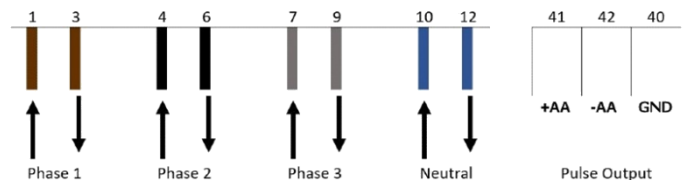
120A 3-Phase Meter

- Suitable for three phase supplies up to 120A
- MID Approved (suitable for billing applications)
- Extended Terminal Cover
- Pulse Output

Dimensions



Wiring



Technical Specification

Meter Type	Three Phase
Fitting Type	Wall Mounted
Max. Current (Amps)	120
Smart	No
Input Type	Direct Connection
Output Type	Pulse
Tariffs	Single
Import / Export	Import Only

3-AC3967-2024-v1