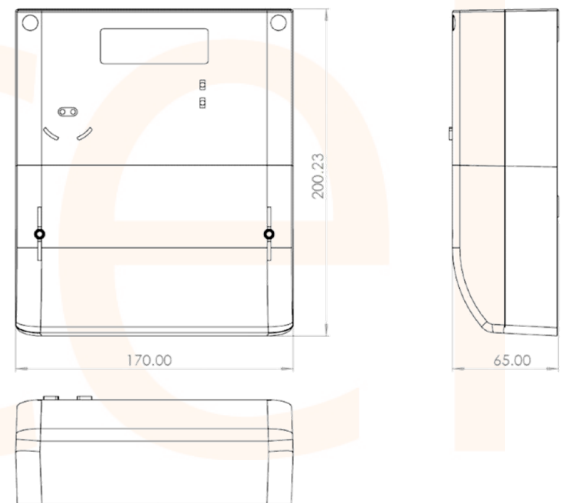


### AC3968

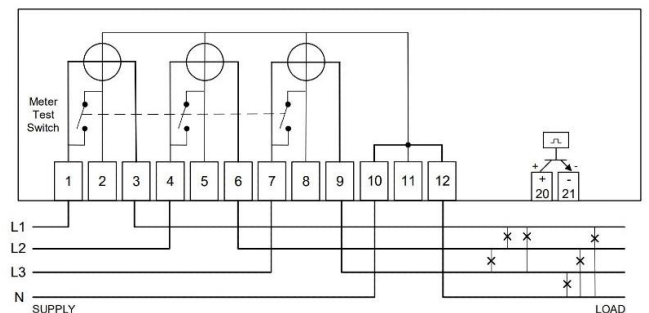
## 100A 3-Phase Meter

- Suitable for three phase supplies up to 100A
- MID Approved (suitable for billing applications)
- Import & Export (bi-directional)
- Pulse Output

### Dimensions



### Wiring



### Technical Specification

<b>Meter Type</b>	Three Phase
<b>Fitting Type</b>	Wall Mounted
<b>Max. Current (Amps)</b>	100
<b>Smart</b>	No
<b>Input Type</b>	Direct Connection
<b>Output Type</b>	Pulse
<b>Tariffs</b>	Single
<b>Import / Export</b>	Import & Export

3-AC3968-2024-v1