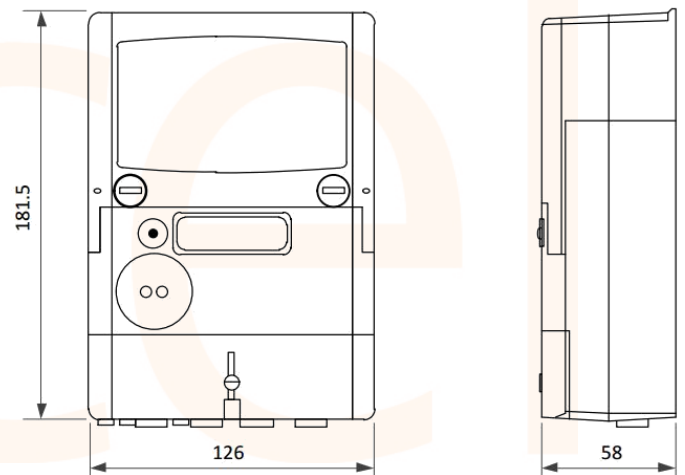


AC3969

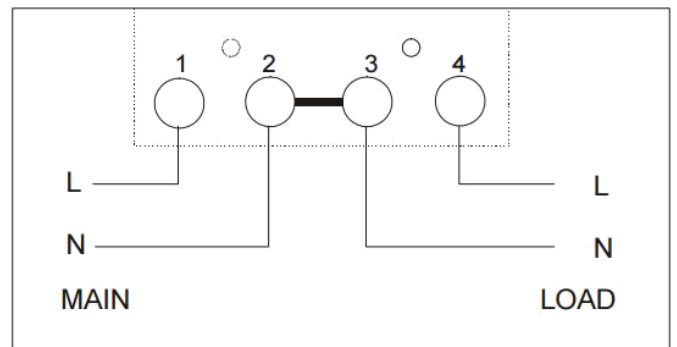
100A Single Phase Smart Meter

- MID Approved
- Import & Export (bi-directional)
- Remote Reading with Meter Online
- Subscription from £16.50 per yr

Dimensions



Wiring



Technical Specification

Meter Type	Single Phase
Fitting Type	Wall Mounted
Max. Current (Amps)	100
Smart	Yes
Input Type	Direct Connection
Output Type	n/a
Tariffs	Single
Import / Export	Import & Export

3-AC3969-2024-v1