



AC447280

150W LED HIGHBAY, IP65

Suitable for use in warehouses, manufacturing plants, garages, workshops & aircraft hangars, retail superstores, gymnasiums & sports halls

LED replacement for 300W metal halide highbay fittings

Die cast aluminium housing with Polycarbonate lens providing a high impact rating of IK09

Prewired with 1m flex and SWIFT connector

Fitting has 110° beam angle, 60° and 90° lens accessory available

Surface mounting bracket and wire guard available

Very high efficacy of 138lm/W

Wide operating temperature range of -25°C to 45°C

Maximum mounting height of 12m

Maximum detection range of 9m

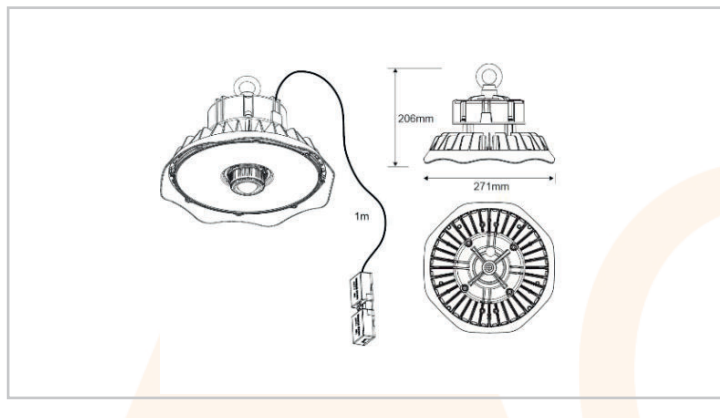
Adjustable detection range: 20%/ 50%/ 75%/ 100%

Hold time:
10sec/1min/5min/10min/15min/20min/30min/60min

Lux switching levels: disable/ 10lx/ 30lx/ 50lx

Standby level: 10%/ 30%/ 50%

Standby time: disable/ 1min/ 30min/ 60min



Technical Specification

Cap Type	LED
Total Power	153.3
Lumens (lm)	21130
Beam Angle	110
Lamp Life (Hrs)	50000
Number of LEDs	400 (80S5P)
Comparable To	300W halogen
CRI	80
CCT (K)	4000
Efficacy (lm/cctW) - Mkt	138
Lux at 1m	7650
Power Factor	0.98
Colour	Black
Diameter (mm)	271

4-AC447280-2022-V1