



### AC463041

### 10W LED Wide Angle Floodlight

Rust resistant Floodlight.

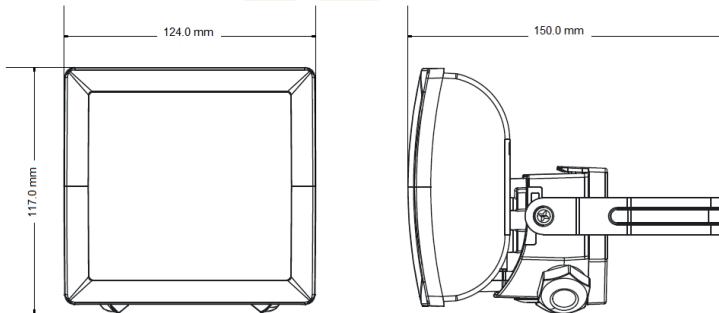
316 stainless steel bracket and screws.

Marine grade aluminium heat sink.

Polycarbonate body and reflector.

Longlife – up to 30,000 hours for low maintenance.

Easy quick fit bracket installation.



Technical Specification	
Operating Voltage:	230V AC 50Hz
Installation Type:	Bracket Mounted
Earth Class Rating:	Class I
Operating Temperature:	-10°C to 40°C
Ingress Protection Rating:	IP55
Beam Angle:	110° x 100°
Pan & Tilt Adjustment:	110° Tilt (Floodlight)
Energy Efficiency:	Class E
Energy Useage:	12KwH/1000H
Lumen Output:	1000
Colour Temperature:	4000K
Mounting Hole Centres:	70mm

AC463041 - 2021 - V1