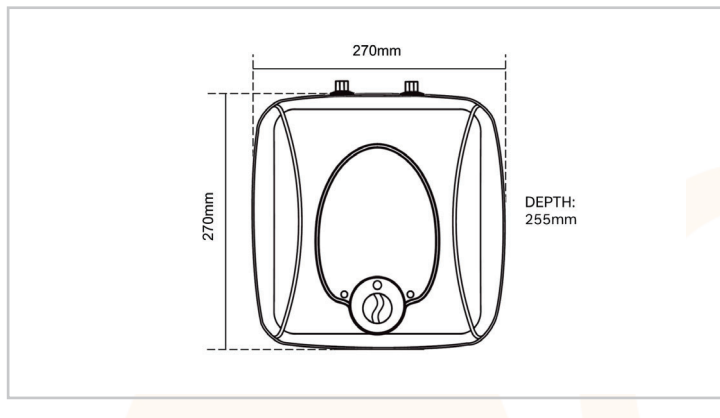




## AC6088

### 6 Litre Stored Water Heater

- **Compact 6 litre capacity water heater, ideal for single outlet point-of-use**
- **Thermostatic control up to 65°C with thermal cut-out safety protection**
- **Heating element 'ON' neon indicator**
- **Rustproof, glass-lined tank for long-life and higher energy efficiency**
- **Magnesium sacrificial anode additional anti-corrosion tank protection**
- **High density thermal CFC-free polyurethane insulation to minimise heat loss**
- **1 metre fitted cable and UK Plug**
- **Includes an accompanying 6bar pressure relief valve and dielectric junctions to safeguard against potential aggressive corrosion**
- **Supplied with wall mounting bracket and fixing bolt pack**
- **1 year UK guarantee**



#### Technical Specification

Capacity:	6 litres
Power Output:	1.5kW@240V
Current Rating:	6.5 Amps
Max. Inlet Pressure:	6bar (87 psi)
Water Connections:	1/2" BSP (via dielectric junction connectors supplied)
IP Rating:	IPX4
Approvals:	BEAB (CE Marked)
ErP Class Rating:	B
Energy Efficiency:	32.5
Energy Consumption:	167 kWh/A

**6-AC6088-2021-V1**